

**SPECIFICATIONS
FOR
ULTRASONIC CLEANER
USC-01**

1. General

These specifications cover USC-01 Ultrasonic cleaner, used for cleaning the optical fiber before splicing. This is specially designed for FSM-40F/PM fiber holder system for high tensile strength splicing.

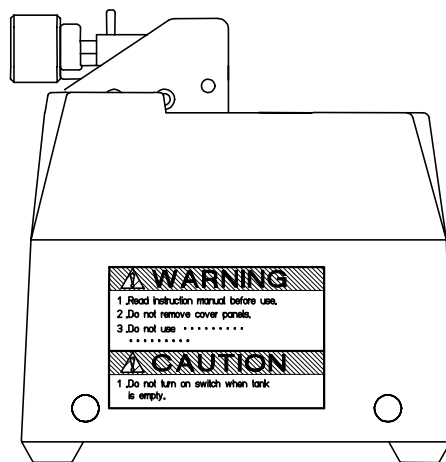
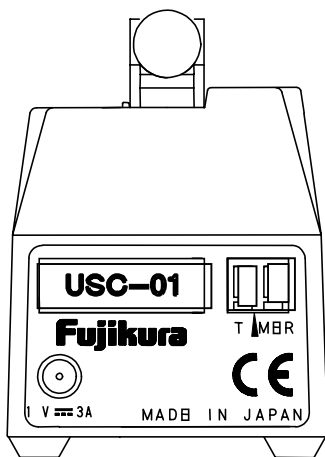
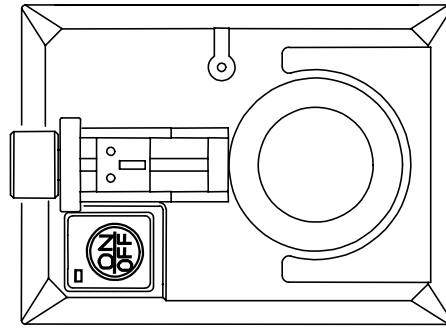
2. Specifications

Applicable optical fiber	Single optical fiber
Cleaning liquid	Ethyl-alcohol
Cleaning tank capacity	24cc to 34cc
Dimensions & weight	95(W) x 130(D) x 95(H), 1.0kg
Vibration unit	50kHz Langevin type
Output power	6W
Power source	External AC Adapter ADC-10 AC100 to 240V / 50 to 60Hz
Timer	0 to 99 sec.
Operating environment	0 to 40 degrees C, 0 to 95%RH (no dew)
Storing condition	-20 to 60 degrees C (non dew)

3. List of items

Standard items

Ultrasonic cleaner	USC-01	1pc.
AC Adapter	ADC-10	1pc.
AC power cord	ACC-08/09/10/11/12	1pc.
	ACC-08 : Japan type	
	ACC-09 : US type	
	ACC-10 : UK type	
	ACC-11 : EU type	
	ACC-12 : Australia type	
Instruction manual	-	1pc



***** End of specifications*****

Specifications subject to change without prior notice