

Active Gain Block

Features

- ◇ Compact
- ◇ Wide Operating Wavelength
- ◇ High Efficiency
- ◇ Low Noise Figure
- ◇ Low Power Consumption

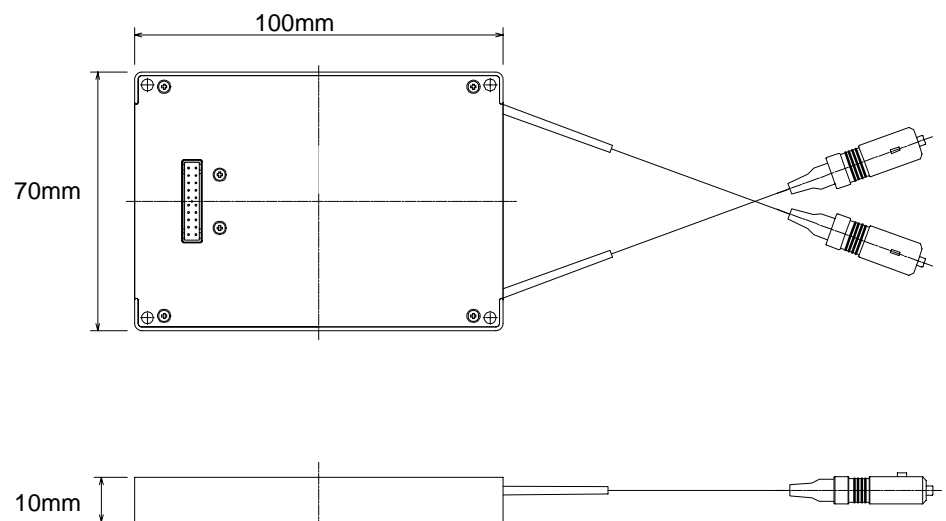
Application

- ◇ 1ch Post-Amplifier
- ◇ WDM Post-Amplifier
- ◇ WDM Pre-Amplifier



Fujikura's Active Gain Block is a compactly packaged optical module for a single-channel or WDM metro amplifier. It is composed of an EDF, a pump-signal WDM, isolators, a tap couplers, a pumping LD, and a power monitoring PDs.

Dimensions



Single Pump Version

Parameters	Unit	Performance (Example)								
		Single Channel Model (Pre-amp version)			Single Channel Model (Post-amp version)			WDM Model		
		min	typ	max	min	typ	max	min	typ	max
Wavelength	nm	1528	-	1566	1528	-	1566	1528	-	1566
Signal Input Power	dBm	-30			-11			-4 (total)		
Signal Output Power	dBm	-2	0	-	12	-	-	14 (total)	-	-
Gain	dB	28	30	-	23	-	-	18 (total)	-	-
Gain Flatness	dB							-	0.5	1
Noise Figure	dB	-	5.5	7.5	-	5	6	-	9	9.8
Return loss	dB	30	-	-	30	-	-	30	-	-
LD Forward Current	mA	-	-	400	-	-	400	-	-	400
LD Threshold Current	mA	-	-	45	-	-	45	-	-	45
Power Consumption	W	-	-	1	-	-	1	-	-	1
Input Monitor Sensitivity	A/W	0.035	-	0.090	0.035	-	0.090	0.035	-	0.090
Output Monitor Sensitivity	A/W	0.005	-	0.020	0.005	-	0.020	0.005	-	0.020
Operating Case Temperature	°C	0	-	65	0	-	65	0	-	65
Storage Temperature	°C	-40	-	85	-40	-	85	-40	-	85

Double Pump Version

Parameters	Unit	Performance (Example)					
		Single Channel Model (Post-amp version)			WDM Model		
		min	typ	max	min	typ	max
Wavelength	nm	1528	-	1566	1528	-	1566
Signal Input Power	dBm	-11			-3 (total)		
Signal Output Power	dBm	14	-	-	15 (total)	-	-
Gain	dB	25	-	-	18 (total)	-	-
Gain Flatness	dB				-	0.5	1
Noise Figure	dB	-	5	6	-	9	9.8
Return loss	dB	30	-	-	30	-	-
LD Forward Current	mA	-	-	400	-	-	400
LD Threshold Current	mA	-	-	45	-	-	45
Power Consumption / LD	W	-	-	1	-	-	1
Input Monitor Sensitivity	A/W	0.035	-	0.090	0.035	-	0.090
Output Monitor Sensitivity	A/W	0.005	-	0.020	0.005	-	0.020
Operating Case Temperature	°C	0	-	65	0	-	65
Storage Temperature	°C	-40	-	85	-40	-	85

*Some of specifications can be customized on request. Please contact us



1-5-1, Kiba, Koto-ku, Tokyo 135-8512, JAPAN
 Tel: +81 3 5606 1168 or 1206 Fax: +81 3 5606 1534
 Email: opt-device@fujikura.co.jp Web Site: www.fujikura.co.jp